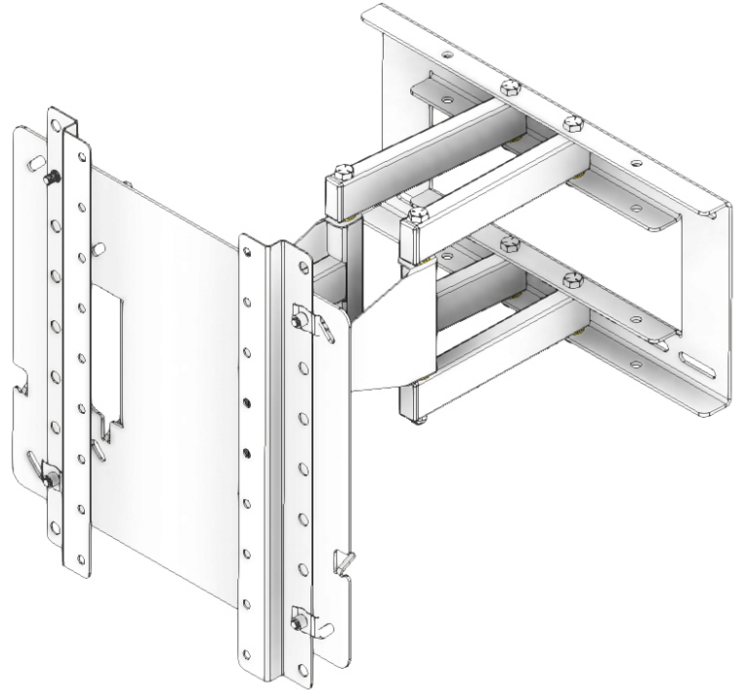


Articulating Series

The Melnik Articulating Series is a versatile wall mounted system that allows you to find the perfect viewing angle, maximizing your screens visibility. The Extended arm provides three pivot points and is universally compatible with all manufacturer screens.

Technical Features

- For screens 43" - 75"
- Landscape & portrait options
- Heavy duty steel
- $\pm 5^\circ$ tilt angle
- $\pm 2.5^\circ$ rotate
- Swivels left to right between $\pm 29^\circ$ and $\pm 57^\circ$ depending on monitor size
- Extremely stable at full extension
- Includes all assembly hardware



Accessories

- Media player brackets
- Power bar clips and brackets
- Strut rail



Distributed by:



Training

Our installation training program and support is second to none, guaranteeing a flawless rollout

Experience

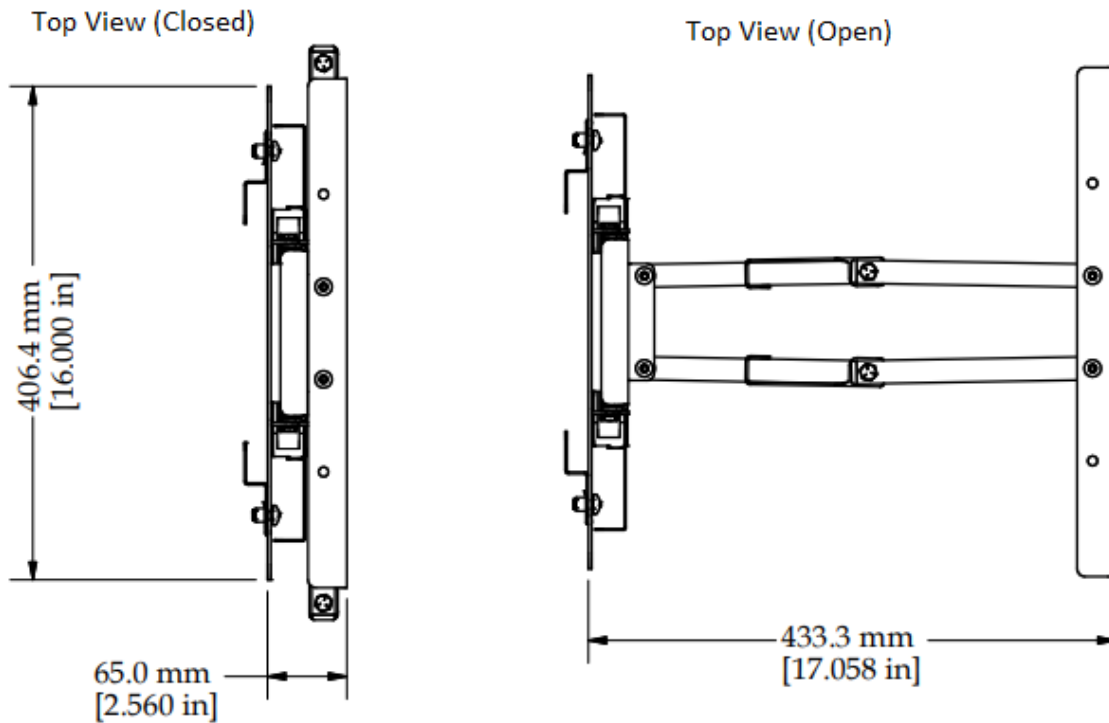
Our dedicated team of designers and manufacturing engineers have over 100 years in combined experience

Customer First

Our history of success and reputation for a customer focused approach is our greatest source of pride

⚙️ Configuration Table

Monitor Size	Orientation	Screen Array Options	Weight Capacity	Part Number
43-75	Portrait/Landscape	1	100lbs	111-4006-1-1



Training

Our installation training program and support is second to none, guaranteeing a flawless rollout

Experience

Our dedicated team of designers and manufacturing engineers have over 100 years in combined experience

Customer First

Our history of success and reputation for a customer focused approach is our greatest source of pride